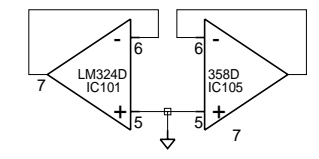


USER	2KVAR8	-
NON_USER	-	2KVAR3299Y

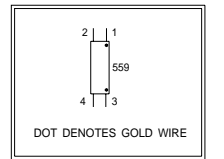
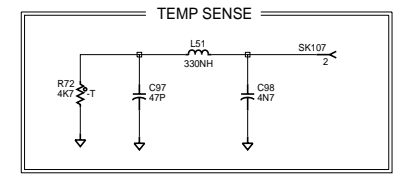
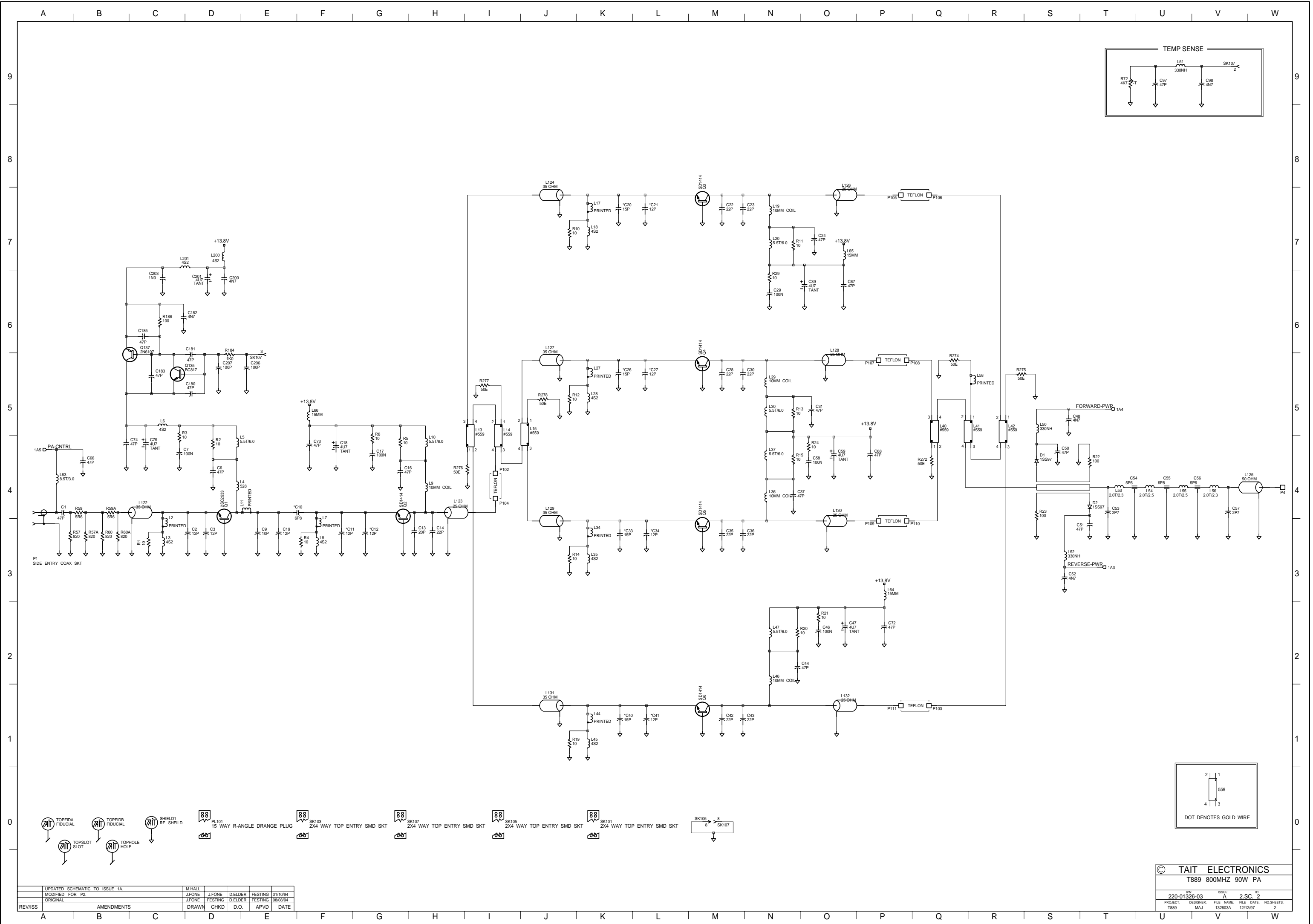
LINK2 REMOVED FOR AUSTRALIAN TYPE APPROVAL.



TAIT ELECTRONICS
T889 800MHZ 90W PA

IPN: 220-01326-03	ISSUE: A	ID: 2.S.C. 1
PROJECT: T889	DESIGNER: MAJ	FILE DATE: 12/12/97
NO.SHEETS: 2		

REV/ISS	AMENDMENTS	DRAWN	CHKD	D.O.	APVD	DATE



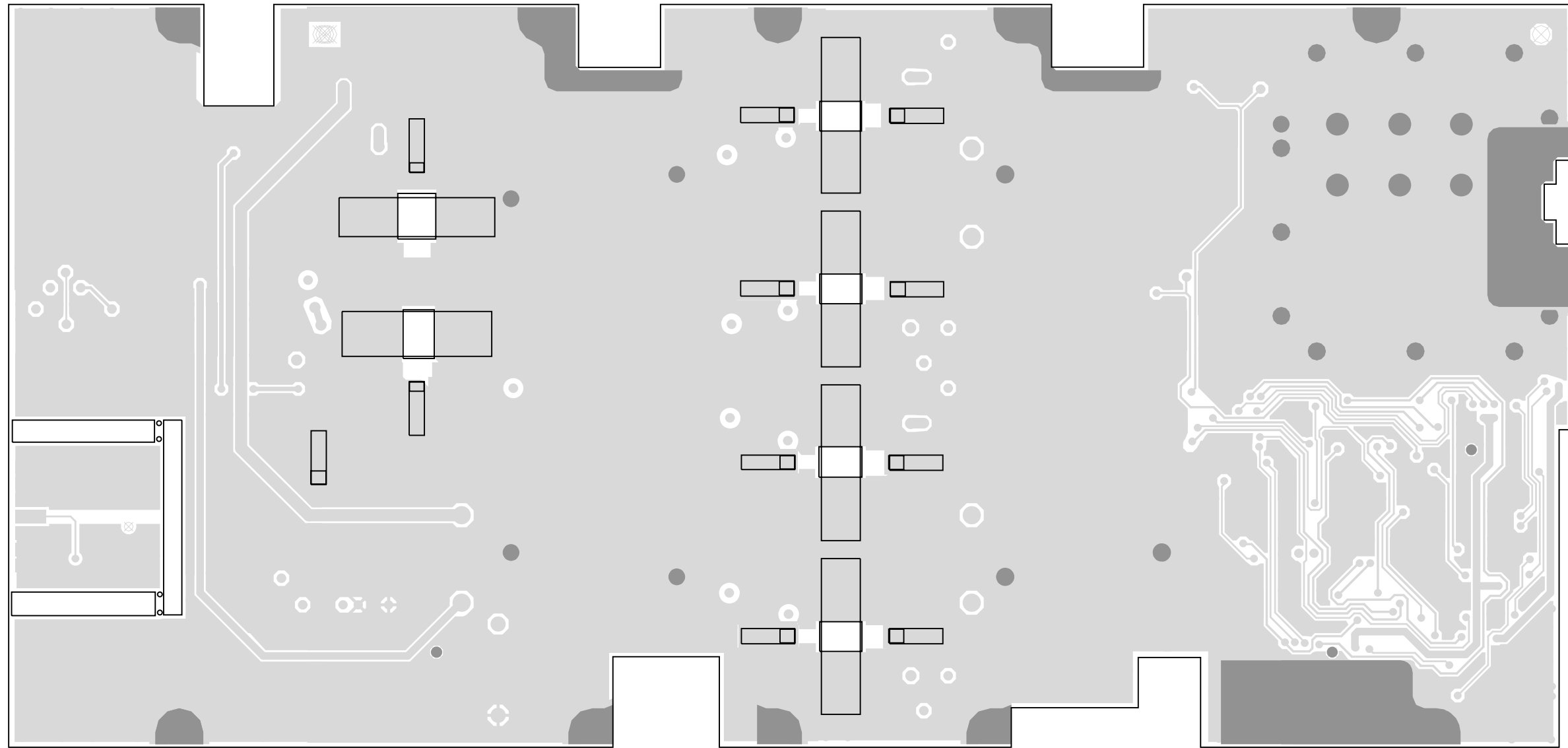
- TOPFIDA FIDUCIAL
- TOPFIDB FIDUCIAL
- SHIELD1 RF SHIELD
- PL101 15 WAY R-ANGLE DRANGE PLUG
- SK103 2X4 WAY TOP ENTRY SMD SKT
- SK107 2X4 WAY TOP ENTRY SMD SKT
- SK105 2X4 WAY TOP ENTRY SMD SKT
- SK101 2X4 WAY TOP ENTRY SMD SKT
- SK105 8 SK107

REV/ISS	AMENDMENTS	DRAWN	CHKD	D.O.	APVD	DATE

M:HALL	J:FONE	D:ELDER	F:FESTING	31/10/94
MODIFIED FOR F2	J:FONE	D:ELDER	F:FESTING	09/08/94

© TAIT ELECTRONICS
T889 800MHZ 90W PA

SP#	ISS#	ID
220-01326-03	A	2-SC-2
PROJECT	DESIGNER	FILE NAME
T889	MAJ	132603A
	FILE DATE	NO SHEETS
	12/12/97	2



TAIT ELECTRONICS	IPN: 220-01326-03	ISS: 03	ID: 2.BA	DATE: 3 Feb 1998
T889PA PCB LAYOUT - BOTTOM SIDE				

Scale: 1.2:1 ; Rotation: 0 degrees